



# Hotel Registration System

**Introduction** Vlatacom Hotel Registration System automatically reads visitor's data from his or her ID document and either stores them locally, or transmits them to the relevant authority, according to the procedure in place in the country of visit.

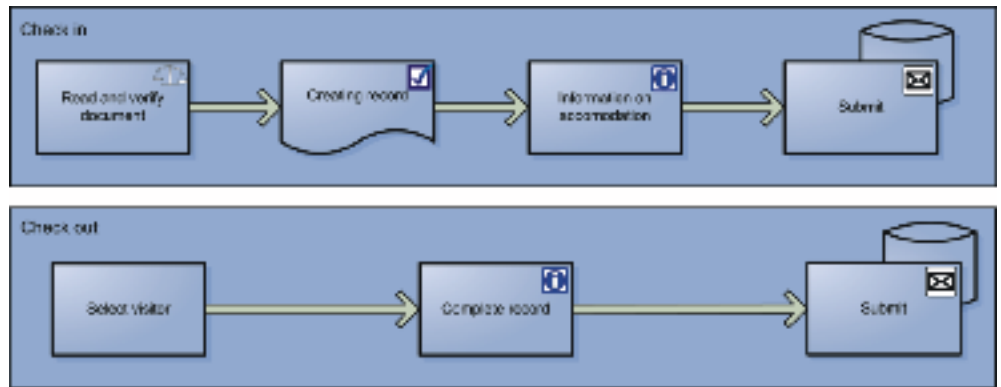
**Features** This system reduces the check-in duration to seconds, increasing the personnel efficiency, shortening the lines at the front-desk and improving the visitor satisfaction. In cases when local police procedures require visit reporting, the visitors will not be requested anymore to leave their passports at the hotel reception desk overnight, but will be able to retrieve them immediately. The overall public safety is thus greatly improved to the satisfaction of all parties involved.

In smaller hotels and in cases when central reporting is not required, a reduced system can be used, consisting of a single workstation, connected to the Vlatacom ID document reader VDR-1. In such a case, the data are automatically read and stored on the workstation for check-in and check-out processing.

In cases when central reporting is required, the complete system is to be used. It consists of client workstations and of a central server. The visitors' data are submitted from client workstations to the central server.

A client workstation is installed at the hotel front desk. Each workstation is equipped with the document reader VDR-1, and allows the receptionist to scan the visitor's passport and enter additional data such as the hotel name, the room number, the check-in date, etc. The hotel application supports both online and offline operation.

The system functions can be fully customized. The workflow can include actions such as black list searches, filtering according to personal attributes (such as sex, nationality, age range), special notification etc. The server can generate reports based on the submitted information from the client stations, such as average number of hotel visits per day, number of visitors from a specific country etc.



### Software

In order to use the application the operator has to log on to the application with a valid username and password or smart card token. The application supports several user profiles that define the usage privileges.

During the check-in, the visitor is expected to provide his or her travel document. The receptionist takes the travel document and scans it with the document reader. Demographic data are being read from the document either optically or electronically. If necessary, any additional information is added manually by the operator. The completed record is submitted to the central server.

At the checkout the operator retrieves the visitor record, and submits the checkout information to the central server.

### Software requirements and specifications

- Required operating system: Windows XP "Professional"
- .Net Framework 1.1
- Identity information capture from passports and other ID documents
- Hotel-specific data added manually
- Local Database to store information when connectivity to the system server is not available or required

Software requirements and specifications

